

PRODUCT NUMBER  
75160-YXX-XXLF

WHEN REQUIRED, ADD SUFFIX LETTER "LF"  
INDICATES THE PRODUCT IS RoHS COMPLIANT  
& COMPATIBLE, SEE NOTE 8

TOTAL NB OF POSITIONS 02 TO 36

PLATING:

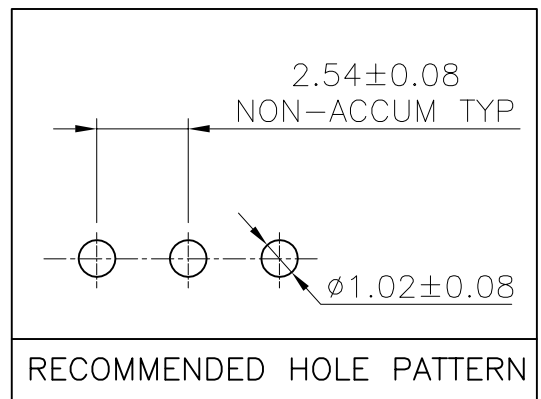
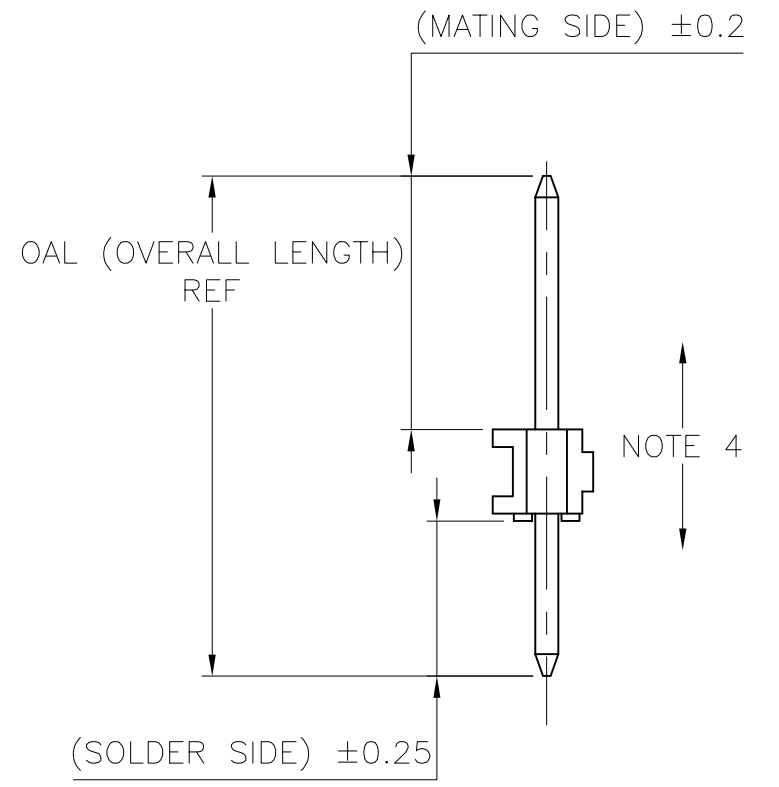
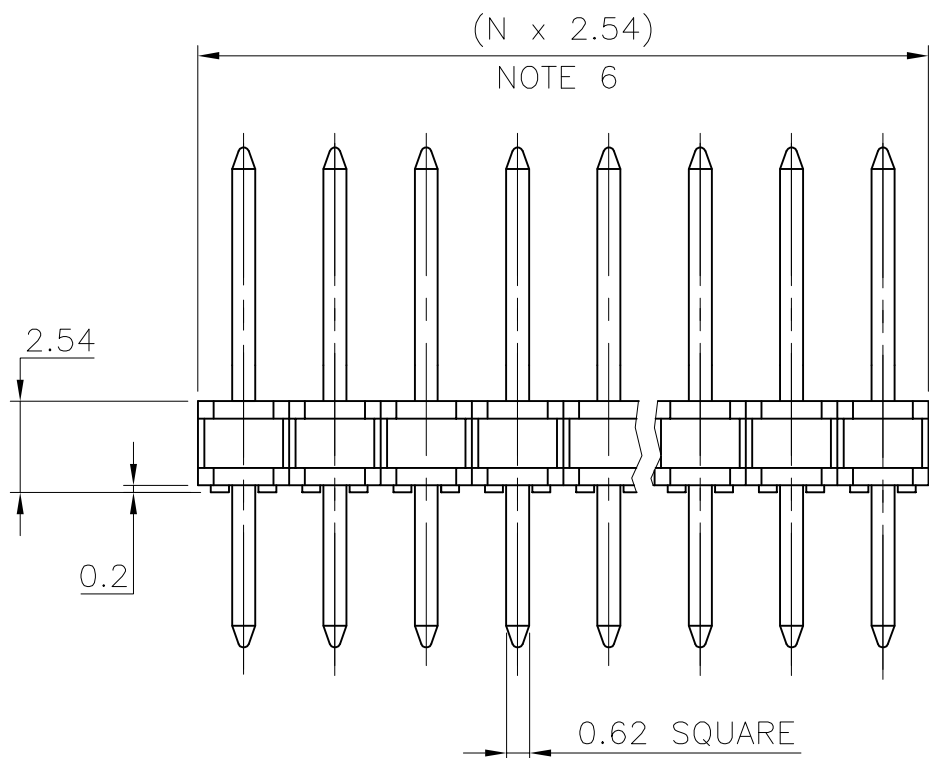
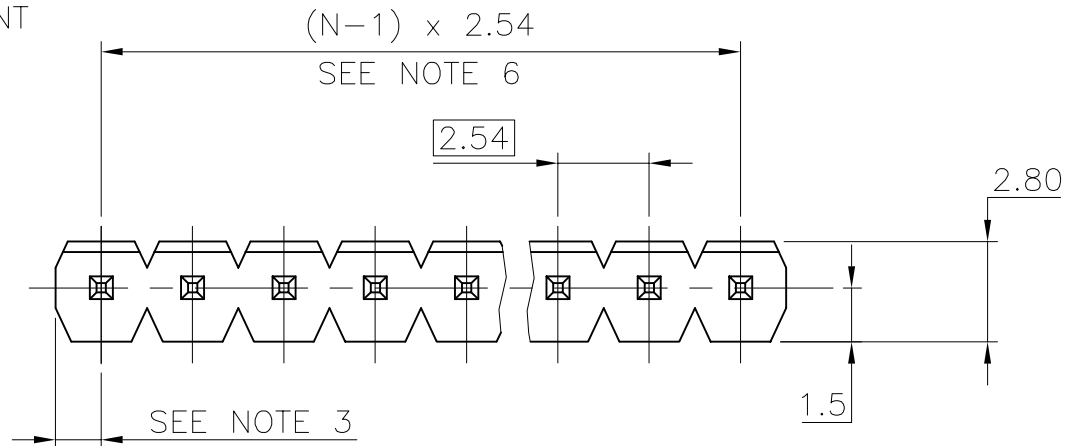
PIN STYLE SEE SHEET 2

- 1 = 0.76µm FULL GOLD/GXT, OVER 1.27µm Ni MIN
- 3 = 3.81µm FULL TIN/LEAD OVER 1.27µm Ni MIN.  
WHEN "LF" IS REQUIRED, 2µm MATTE TIN OVER  
1.27µm MIN NICKEL IS PROVIDED INSTEAD OF TIN-LEAD
- 8 = 0.38µm FULL GOLD/GXT, OVER 1.27µm Ni MIN

NOTES:

1. HOUSING MAT'L : HIGH TEMPERATURE THERMOPLASTIC  
FLAME RETARDANT PER UL94-V0, COLOR BLACK.
2. PIN MATERIAL : PHOSPHOR BRONZE.
3. DIM 1.27 <sup>+0.03</sup>/<sub>-0.13</sub> FOR MOULDED SIDE(S)  
ONLY. IF SIDE(S) ARE BROKEN, DIM 1.02  
TO 1.7 MAX APPLIES.
4. PIN PUSH OUT FORCE : 12N MIN.
5. PRODUCT PACKAGED IN POLY BAGS.
6. TO DETERMINE DIMENSIONS :  
N = NUMBER OF POSITIONS  
EXAMPLE : 8 POS N x 2.54 = 20.32mm
7. FOR STANDARD SELECTIVE GOLD PLATED  
PRODUCTS, SEE DRAWING 77311.
8. RoHS COMPATIBLE PRODUCT SPECIFICATIONS

- a - SUFFIX "LF" IS ADDED JUST FOR EASY
- b - MANUFACTURING PROCESS COMPATIBILITY
  - THE HOUSING WILL WITHSTAND EXPOSURE TO  
260°C ±5°C SOLDER BATH TEMPERATURE FOR  
5 SECONDS IN A WAVE SOLDER APPLICATION  
WITH A 1.6mm MIN THICK CIRCUIT BOARD.
- c - LABELING:
  - MEETS PACKAGING SPECS AS PER GS-14-920
- d - LEGAL STATEMENT: SEE GS-22-008

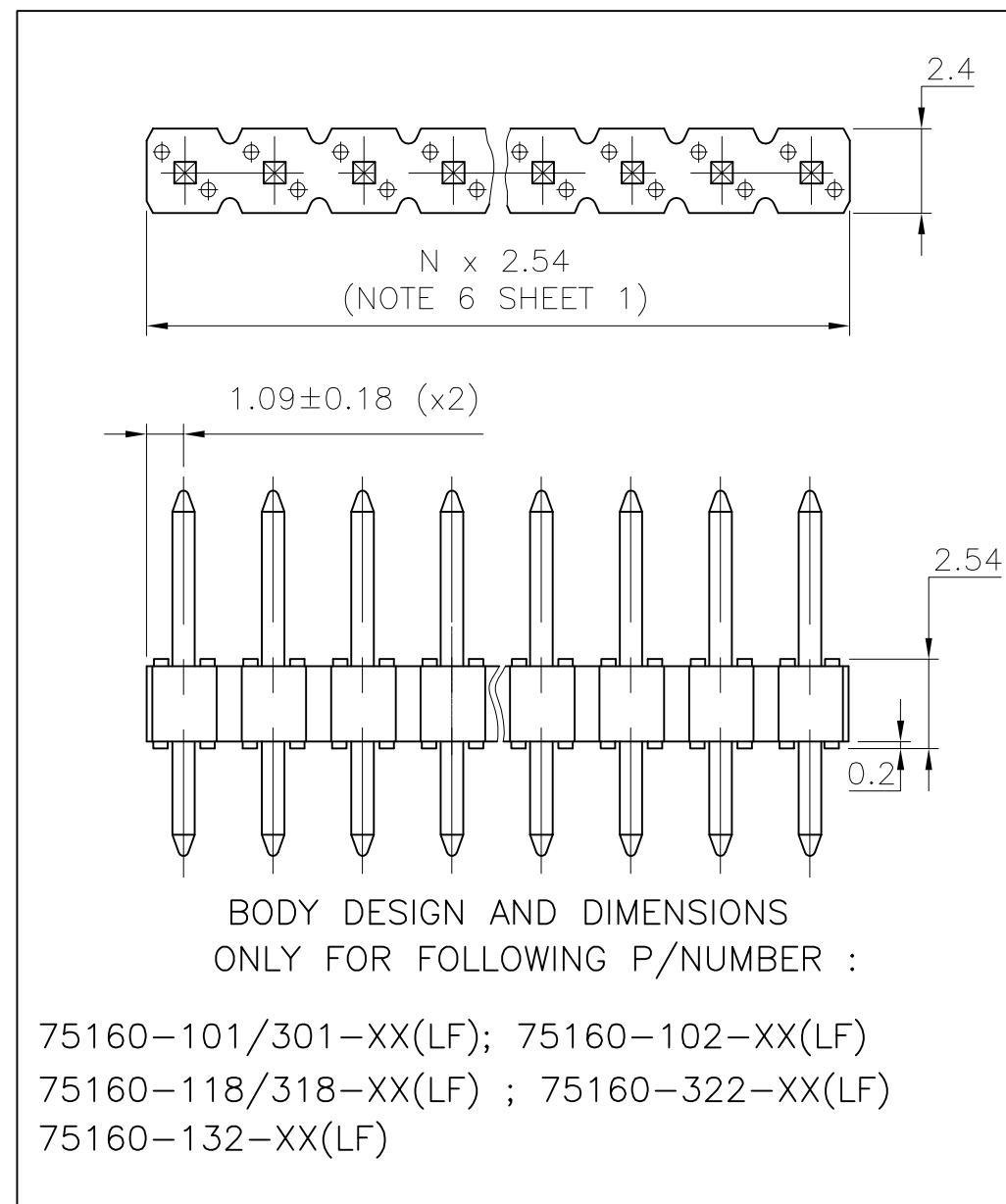


mat'l. code SEE NOTES				surface ISO 1302 ✓	tolerance ISO 406 ISO 1101	projection mm	product family BERGSTIK
ltr	ecn no	dr	date	tolerances unless	otherwise specified	scale 5:1	title HEADER SR,STR 2.54mm PITCH
BR	F20607	LMU	03.12.03	angles	.x ±0.3		
BS	F03079	LMU	03.04.04	linear	.xx ±0.15	FCJ	dwg no 75160
BT	F05-0186	JCO	05.04.29		.xxx ±0.05		
BU	F06-0196	LMU	06.06.20	dr	D LEGRAND	02.01.15	sheet 1 of 2
BV	F08-0148	JCO	08.05.27	enrg	JMC	02.01.15	size A3
BP	F20301	LMU	02.04.22	chr	COMPAGNON J	02.01.15	
				appd	JMC	02.01.15	type CUSTOMER Drawing
sheet index	revision	BV	BJ				
	sheet	1	2				

APPLICATION SPECIFIC			
PIN STYLE	MATING	SOLDER	OAL
01	5.72	2.54	10.8
02	5.84	3.43	11.81
03	5.72	5.09	13.34
04	5.72	7.62	15.88
05	5.72	10.16	18.42
06	5.72	12.7	20.96
07	5.72	15.24	23.5
08	5.72	17.78	26.04
09	5.72	20.32	28.58
10	5.72	22.86	31.12
11	5.72	5.97	14.22
12	5.72	8.51	16.76
13	5.72	11.05	19.3
14	5.72	16.13	24.38
15	8.51	2.54	13.59
16	8.51	5.51	16.56
17	8.51	10.59	21.64
18	5.72	3.05	11.3
19	12.83	3.05	18.42
20	15.37	3.05	20.96
21	20.45	3.05	26.04
22	7.75	3.05	13.34
23	5.84	4.95	13.34
24	7.21	3.05	12.8
25	8.51	3.18	14.22
26	15.57	2.84	20.96

APPLICATION SPECIFIC			
PIN STYLE	MATING	SOLDER	OAL
27	6.6	2.67	11.81
28	6.6	4.19	13.34
29	17.53	3.43	23.5
30	22.61	3.43	28.58
31	8.2	2.84	13.59
32	10.29	3.05	15.88
35	25.21	3.37	31.12
38	5.84	3.81	12.19
39	11.17	3.05	16.76
41	4.99	2.8	10.33
43	6.98	4.8	14.32
44	12.27	3.35	18.16
46	8.08	2.72	13.34
48	5.84	2.42	10.8
50	5.84	3.12	11.5
56	5.72	3.05	11.3
61	16.61	3.2	22.35
62	13.5	3.05	19.09
70	6.54	3.5	12.57
73	28.4	3.18	34.12
75	16.47	10.3	29.31
79	3.3	3.3	9.14
80	8.07	2.2	12.81
90	1.9	3.56	8
95	15.96	4	22.5
96	5.84	3.43	11.81

APPLICATION SPECIFIC			
PIN STYLE	MATING	SOLDER	OAL
97	7.75	3.05	13.34
98	10.29	3.05	15.88



mat'l. code SEE P/N		surface ISO 1302 ✓		tolerance ISO 406 ISO 1101		projection mm		product family BERGSTIK	
ltr	ecn no	dr	date	tolerances unless otherwise specified		mm		title HEADER STR,SR. 2.54mm PITCH	
BH	F05-0186	JCO	05.04.29	angles	.x ±0.3	scale 5:1		dwg no 75160	
BJ	F06-0196	LMU	06.06.20	linear	.xx ±0.15	FCJ		sheet 2 of - A3	
					.xxx ±0.05			type CUSTOMER Drawing	
BD	F20116	DLE	02.01.15	dr	MULIN.L	99.04.07			
BE	F20301	LMU	02.04.23	enr	JMC	99.04.07			
BF	F20607	LM	03.12.03	chr					
BG	F03079	LMU	03.04.04	appd	JMC	99.04.07			
sheet index	revision sheet								